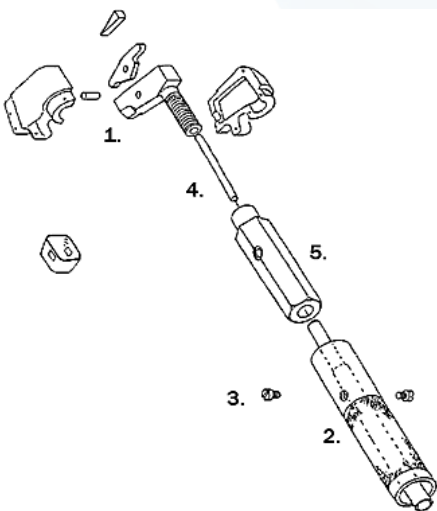


BROCO BR-21 WELDING STINGER



Sr.	Description
1	SY-UWBR22A04 - Collet Nut
2	SY-UWBR22N123 - 123 Neoprene O-Ring Nut to Handle Seal
3	SY-UWBR22A05 - Flash Arrestor
4	SY-UWBR22R08K - Control Valve Repair Kit
5	SY-UWBR22A07 - Coupler Hose Assembly
6	SY-UWBR22R02K - Replacement Handle Screw Set with Nuts
7	SY-UWBR22A06 - Check Valve Assembly
8	SY-UWBR22ROSK - Replacement O-Ring Set



Item	Part No.	Description
1	SY-242	Stinger head Assembly
2	SY-240	Handle, Orange
3	SY-158	Screw, Handle, Nylon, Slotted (2required)
4	SY-234	Pressures Pin
5	SY-243	Body/ Cable Assembly


Ordering Information

Part Number	Description
SY- BR21	BROCO UNDERWATER WELDING TORCH






BROCO BR-21 WELDING STINGER

Contact us

 29th Street, Amman Road, Behind Al Huraiz Est. For Industry,
Al Qusais, Industrial Area – 1,
Dubai, United Arab Emirates

-  Tel : 009714 2580533 
-  Fax : 042516664 
-  UAE : 00971505648178 
-  UK : 00447951966260 

-  Website : www.synergiequipment.com
-  Email : ram@synergiequipment.com
-  For Sale : info@synergiequipment.com

